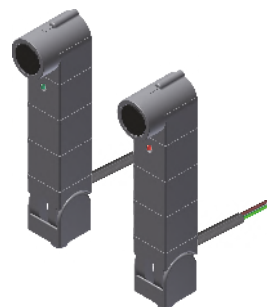


Intrekbeveiliging TWIN-SAFE



- normconforme techniek *
- grote reikwijdte 1...20 m
- slanke bouwvorm
- eenvoudige instelling
- LED-aanwijzing aan de voorzijde
- hoge beschermingsgraad Ip67

* voldoet aan de hieronder vermelde normen



Technische gegevens

| | |
|--------------------|---|
| Reikwijdte | 1...20 m |
| Bedrijfsspanning | 10...30 V DC |
| Stroomopname | Zender: 35 mA Ontvanger: 35mA |
| Lichtsoort | IR, gemoduleerd |
| Openingshoek | ca. 2° volledige hoek |
| Testingang | UB=zender uit |
| Testreactietijden | |
| UB bij testingang: | max. 20 ms tot relais is afgefallen |
| Testingang vrij: | typ. 100 ms tot relais is aangetrokken |
| UB uitgeschakeld: | max. 20 ms tot relais is afgefallen |
| UB ingeschakeld: | typ. 100 ms tot relais is aangetrokken |
| Responsnsnelheid | max. 20 ms, vertragingstijd tussen lichtstraalonderbreking en uitgangsreactie |
| Aantrekvertraging | typ. 100 ms |
| Uitgang | Relais, potentiaalvrij wisselcontact |
| Schakelvermogen | min. 1 mA/min. 5 V DC, max. 0,6 A/50 V AC max. 0,6 A/50 V DC |

| | |
|---------------------|---|
| Schakelmethode | Lichtschakeling, relais is aangetrokken, wanneer lichtstraal vrij is |
| LED-aanwijzingen | |
| Zender: | groene LED, aan bij UB aan, knippert bij test, |
| Ontvanger: | groen/rode duo-LED, groen bij UB en lichtstraalvrij (relais aangetrokken), rood bij lichtstraalonderbreking, (relais afgefallen) |
| Instelbereik | axiaal: 360°, verticaal: ±30° |
| Behuizingsmateriaal | PA6 met 30% glasvezelaandeel |
| Optische afsluiting | Lexan, infrarood transparant |
| Aansluitmethode | Vaste kabel, PUR, mantelkleur zwart, ø ca. 4,3 mm Zender 3 x 0,25 mm ² Ontvanger 5 x 0,25 mm ² Standaardlengte steeds 13 m |
| Beschermingsgraad | IP67 conform En60529, volledig ingekapseld met 2K-epoxyhars |
| Bedrijfstemp. | -25...+55°C |
| Opslagtemp. | -25...+55°C |
| Gewicht | ca. 500g |
| Afmetingen | 108x20x30 mm ³ (LxBxH) |

Conformiteitsverklaring

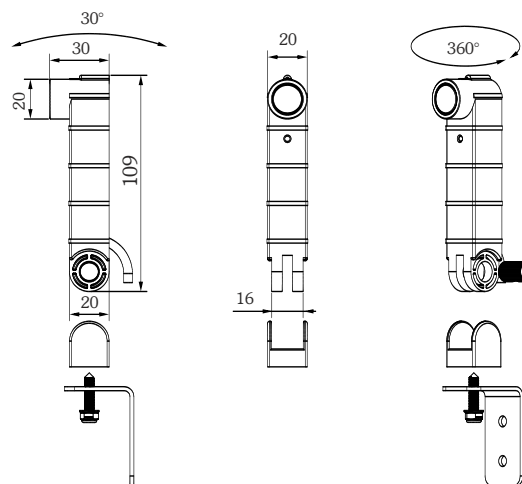
EMC-richtlijn 2004/108/EG
EN 61000-6-2 en EN 61000-6-3
Machinerichtlijn 2006/42/EG
EN 12978
Type 2 conform IEC 61496-2
PL c en cat. 2 conform ISO 13849-1



Aansluitschema

| | | | | | |
|--------|--------------|---------|-----------|--------------|---------|
| Zender | 10...30 V DC | — bruin | Ontvanger | 10...30 V DC | — bruin |
| | 0 V/GND | — blauw | | 0 V/GND | — blauw |
| | Testingang | — zwart | | max. 0,5 A | — grijs |
| | | | | 48 V DC | — geel |
| | | | | | — roze |

Afmetingen



Bestelgegevens

| Model | Artikelnummer |
|--------------------|---------------|
| TWIN-PRO zender | 314932 |
| TWIN-PRO ontvanger | 314935 |
| Set TWIN-SAFE | 314933 |

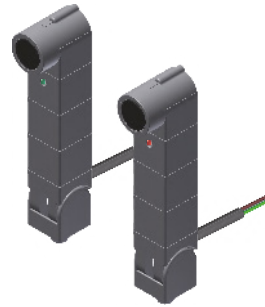
De set bestaat uit:
Zender en ontvanger, elk 13 m vaste kabel, twee bevestigingshoeken V2A

TWIN-SAFE pull-in protection



- technology which complies with standards *
- large range 1...20m
- slim design
- easy to adjust
- front indicator LED
- high degree of protection IP67

* complies with below standards



Technical data

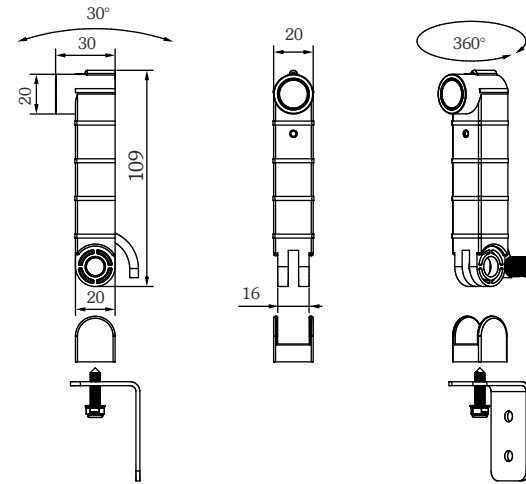
| | |
|----------------------------|---|
| range | 1...20m |
| operating voltage(U_b) | 10...30VDC |
| current consumption | transmitter: 35mA receiver: 35mA |
| type of light | IR, modulated |
| aperture angle | approx. 2° round angle |
| test input | U_b =transmitter off |
| test response times | |
| | U_b at test input: max. 20ms until relay drops out |
| | Test input uninterrupted: typ. 100ms until relay picks up |
| | U_b switched off: max. 20ms until relay drops out |
| | U_b switched on: typ. 100ms until relay picks up |
| speed of response | max. 20ms delay between light beam interruption and output response |
| switch on delay | typ. 100ms |
| output | relay, potential-free changeover contact |
| switch rating | min. 1mA/min. 5VDC, max. 0.6A/50VAC max. 0.6A/50VDC |

| | |
|----------------------|--|
| type of switching | responsive to brightness, relay picks up when light beam is uninterrupted |
| LED indications | |
| transmitter: | green LED on when U_b on, flashes during test, green/red dual LED, green when U_b and light beam uninterrupted (relay picks up), red when light beam interrupted (relay drops out) |
| receiver: | |
| adjustment range | axial: 360°, vertical: ±30° |
| casing material | PA6 with 30% glass fibre |
| optical termination | lexan, infrared transparent |
| type of connection | hardwired, PVC, casing black, Ø approx. 4.3mm transmitter 3x0.25mm ² receiver 5x0.25mm ² standard length of respectively 13m |
| degree of protection | IP67 according to EN60529, filled with 2K-epoxy resin |
| operating temp. | -25... +55°C |
| storage temp. | -25... +55°C |
| weight | approx. 500g |
| size | 108x20x30xmm ³ (LxWxH) |

Connection scheme

| | | | | | |
|-------------|------------|---------|----------|------------|----------|
| Transmitter | 10...30VDC | — brown | Receiver | 10...30VDC | — brown |
| | 0V / GND | — blue | | 0V / GND | — blue |
| | Test input | — black | | max. 0,5A | — grey |
| | | | | 48VDC | — yellow |
| | | | | | — pink |

Size



Ordering details

| | |
|---|--------------|
| model | order number |
| TWIN-SAFE transmitter | 314932 |
| TWIN-SAFE receiver | 314935 |
| set TWIN-SAFE | 314933 |
| set consisting of: transmitter and receiver, each 13m fixed cable, two mounting bracket V2A | |

Declaration of conformity

EMC directive 2004/108/EC
EN 61000-6-2 and EN 61000-6-3
Machinery directive 2006/42/EC
EN 12978
Type 2 according to IEC 61496-2
PL c and Cat. 2 according to ISO 13849-1

